

PG-38 Grippers



STANDARD PADS



CUSTOM PADS AVAILABLE



Common Body Multiple Configurations

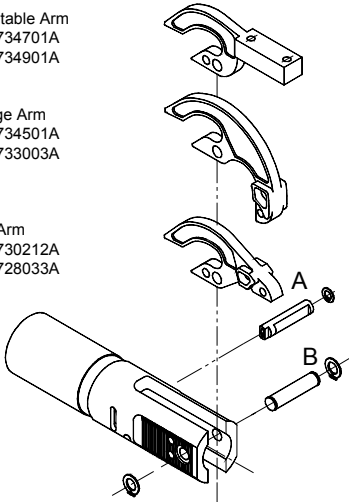
Pin "A" adjusts the arm opening to 30°, 45° or 75°.

Pin "B" secures the arms.
All arm styles can be interchanged.

Upper Adaptable Arm
PG-38 No. 734701A
PG-45 No. 734901A

Upper Flange Arm
PG-38 No. 734501A
PG-45 No. 733003A

Upper Pad Arm
PG-38 No. 730212A
PG-45 No. 728033A



Lower Opening Pad Arm
PG-38 No. 730302A
PG-45 No. 728102A

Lower Fixed Pad Arm
PG-38 No. 730213A
PG-45 No. 728034A

Lower Opening Single Chisel Arm
PG-38 No. 730501A
PG-45 No. 728301A

Lower Fixed Single Chisel Arm
PG-38 No. 730401A
PG-45 No. 728201A

Lower Opening Double Chisel Arm
PG-38 No. 730701A
PG-45 No. 728501A

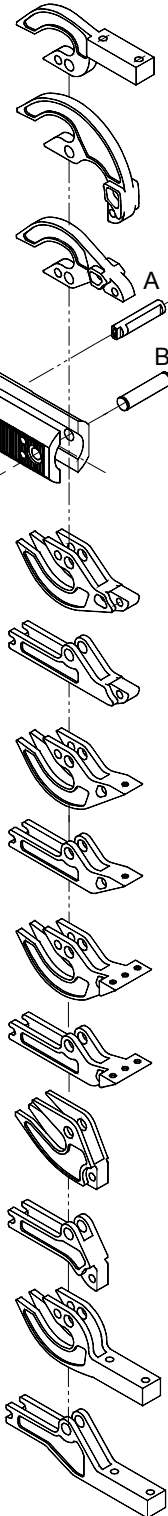
Lower Fixed Double Chisel Arm
PG-38 No. 730601A
PG-45 No. 728401A

Lower Opening Flange Arm
PG-38 No. 734601A
PG-45 No. 733102A

Lower Fixed Flange Arm
PG-38 No. 734502A
PG-45 No. 733004A

Lower Opening Adaptable Arm
PG-38 No. 734801A
PG-45 No. 735001A

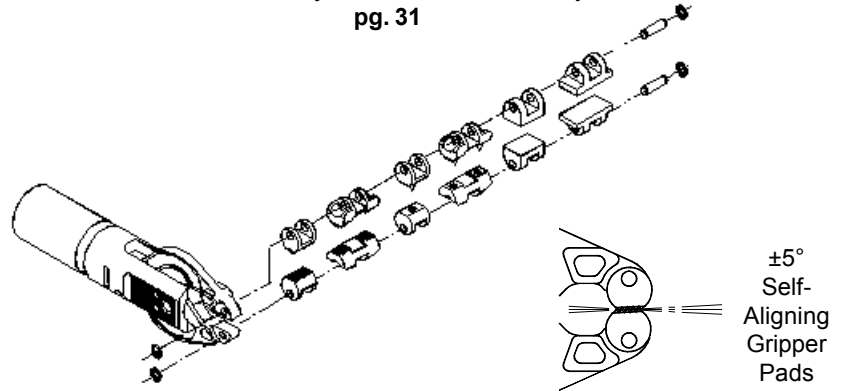
Lower Fixed Adaptable Arm
PG-38 No. 734702A
PG-45 No. 734902A



Interchangeable Gripper Pads

Pads are common between 38 & 45 models. The pads rotate $\pm 5^\circ$ to "find" the part. No shims or adjustments are necessary.

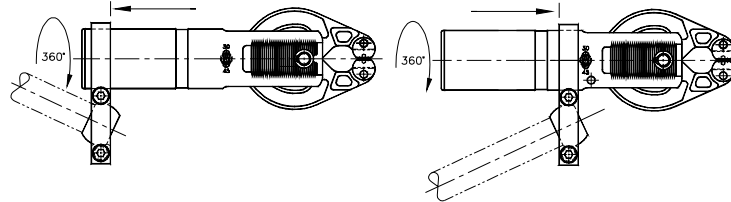
pg. 31



Flexible Mounting

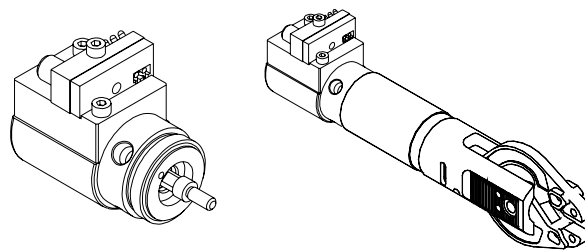
The round body design and tube mount provides 360° rotation, swiveling and linear adjustment. The 1" tube mount uses a hardened steel swivel with serrated surfaces to provide a positive locked position. Patent No 5,647,625.

pg. 32



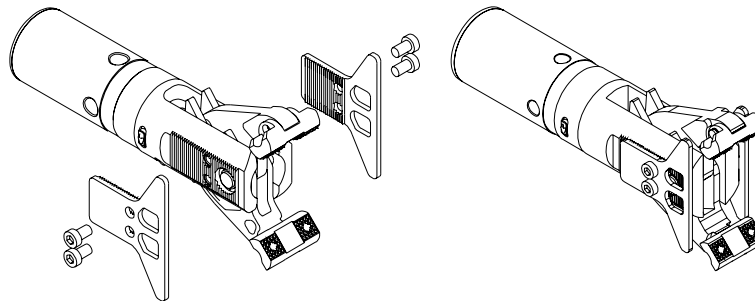
Proximity Switches

Integrated switch package pp. 33-34



Part Stops (PS)

Hardened steel stops position the part and protect the gripper. Part stops are interchangeable between PG-38 & PG-45 models.



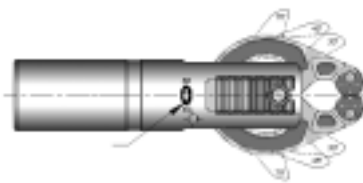
Custom part stops can be manufactured to meet your specific application. Contact BTM for details.

PG-38 Locking Grippers

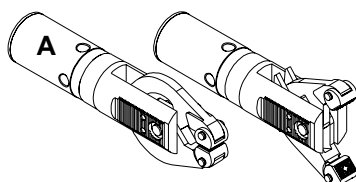
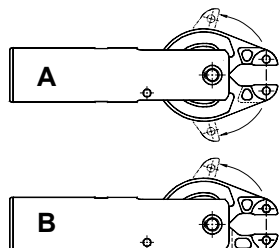


Locking Grip
 Roller finds detent on the cam surface to hold the part if air pressure is lost.

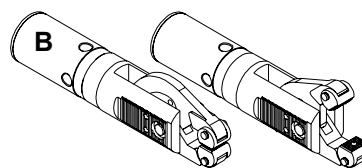
Adjustable Opening
 A single pin adjusts the arm opening to 30° or 45°, remove the pin for 75° opening.



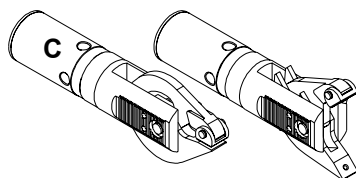
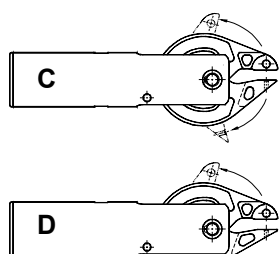
ARM STYLES



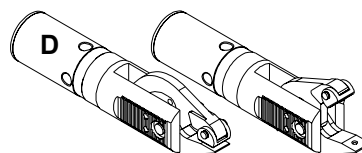
Double Opening Pad Arms
 30°, 45° or 75° opening per arm
PG-38 A
 pg. 8



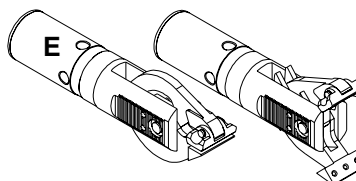
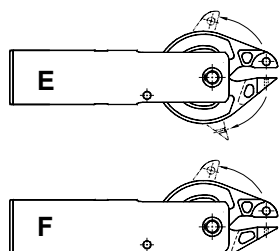
Single Opening Fixed Pad Arm
 30°, 45° or 75° opening
PG-38 B
 pg. 9



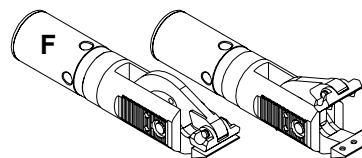
Double Opening Single Chisel Arm
 30°, 45° or 75° opening per arm
PG-38 C
 pg. 10



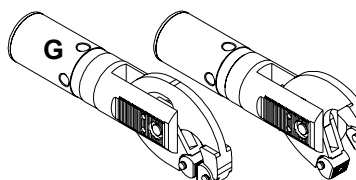
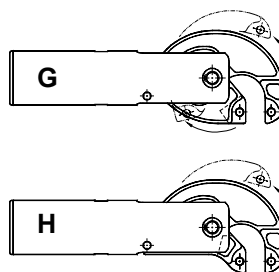
Single Opening Fixed Single Chisel Arm
 30°, 45° or 75° opening
PG-38 D
 pg. 11



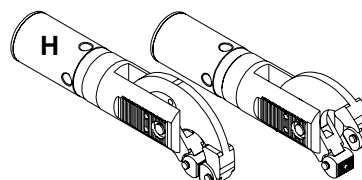
Double Opening Double Chisel Arm
 30°, 45° or 75° opening per arm
PG-38 E
 pg. 12



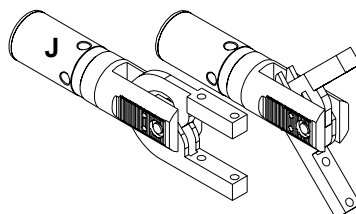
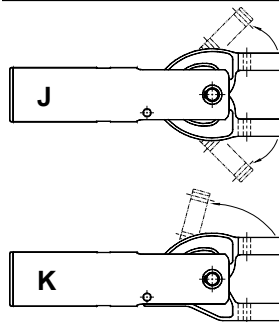
Single Opening Fixed Double Chisel Arm
 30°, 45° or 75° opening
PG-38 F
 pg. 13



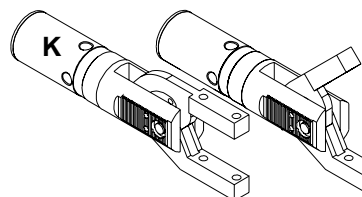
Double Opening Flange Pad Arms
 30°, 45° or 75° upper arm opening
 16°, 22° or 45° lower arm opening
PG-38 G
 pg. 14



Single Opening Fixed Flange Pad Arms
 30°, 45° or 75° opening
PG-38 H
 pg. 15

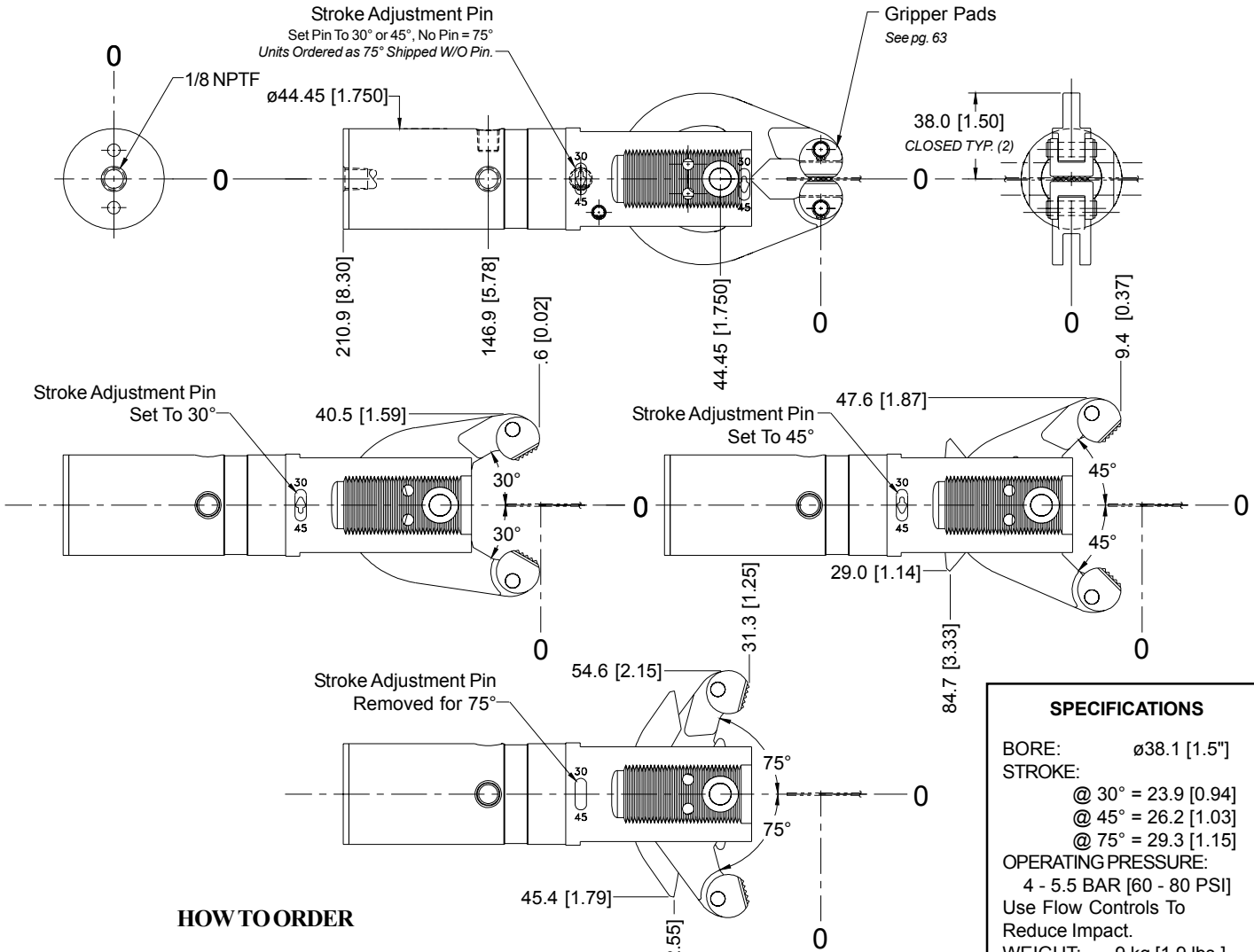
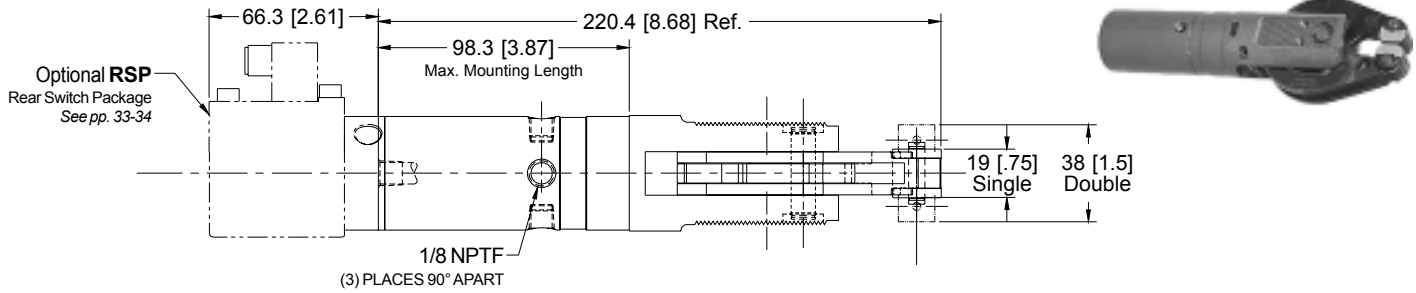


Double Opening Adaptable Arm
 30° or 45° opening per arm
PG-38 J
 pg. 16



Single Opening Fixed Adaptable Arm
 30°, 45° or 75° opening
PG-38 K
 pg. 17

CAD TEMPLATES AVAILABLE



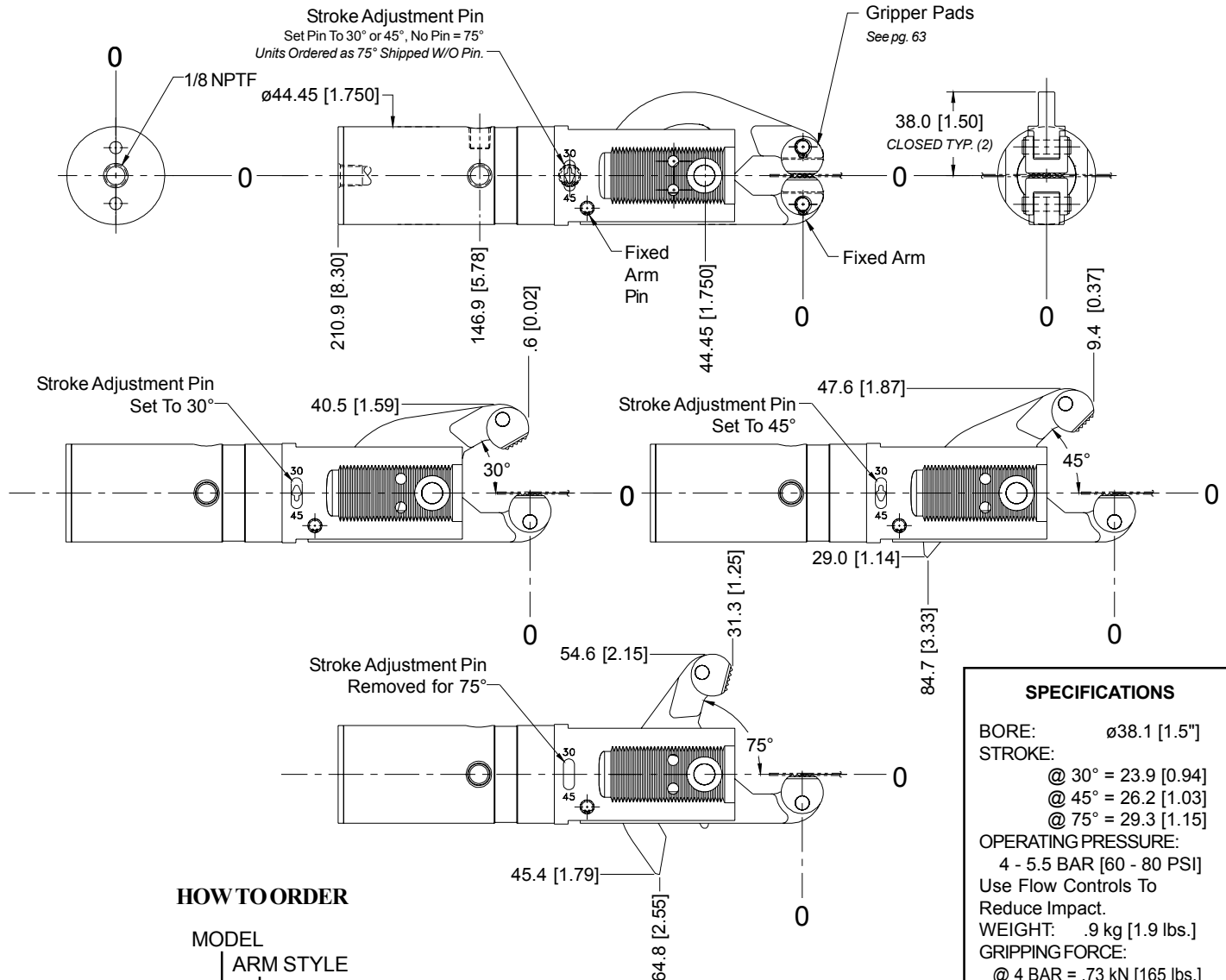
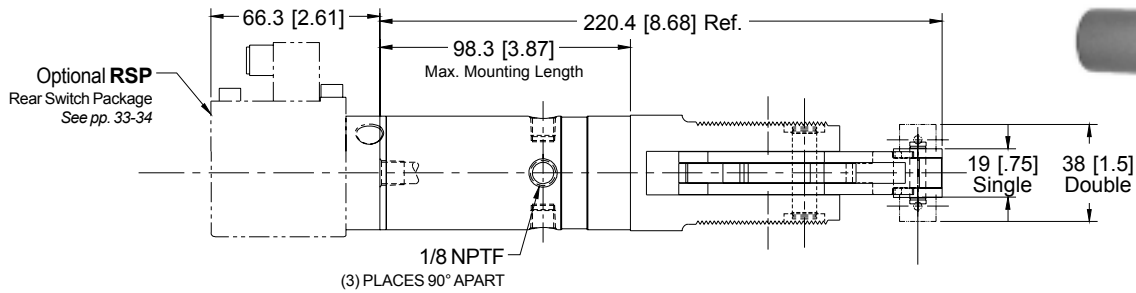
SPECIFICATIONS	
BORE:	ø38.1 [1.5"]
STROKE:	
	@ 30° = 23.9 [0.94]
	@ 45° = 26.2 [1.03]
	@ 75° = 29.3 [1.15]
OPERATING PRESSURE:	4 - 5.5 BAR [60 - 80 PSI]
	Use Flow Controls To Reduce Impact.
WEIGHT:	.9 kg [1.9 lbs.]
GRIPPING FORCE:	
	@ 4 BAR = .73 kN [165 lbs.]
	@ 5.5 BAR = .98 kN [220 lbs.]

HOW TO ORDER

- MODEL
- ARM STYLE
- ARM OPENING (30°, 45°, or 75°)
- UPPER ARM PAD (pg. 31)
- LOWER ARM PAD (pg. 31)
- MOUNTS (BM, BM - BM, TM, or HTM - pg. 32)
- PART STOPS (pg. 6)
- REAR SWITCH PACKAGE (pp. 33-34)
- SUPPLY VOLTAGE (AC or DC)

PG38A - 30 - 3 - 3 - TM - PS - RSPT-DC

CAD TEMPLATES AVAILABLE



SPECIFICATIONS	
BORE:	ø38.1 [1.5"]
STROKE:	@ 30° = 23.9 [0.94]
	@ 45° = 26.2 [1.03]
	@ 75° = 29.3 [1.15]
OPERATING PRESSURE:	4 - 5.5 BAR [60 - 80 PSI]
	Use Flow Controls To Reduce Impact.
WEIGHT:	.9 kg [1.9 lbs.]
GRIPPING FORCE:	@ 4 BAR = .73 kN [165 lbs.]
	@ 5.5 BAR = .98 kN [220 lbs.]

HOW TO ORDER

- MODEL
- ARM STYLE
- ARM OPENING (30°, 45°, or 75°)
- UPPER ARM PAD (pg. 31)
- LOWER ARM PAD (pg. 31)
- MOUNTS (BM, BM - BM, TM, or HTM - pg. 32)
- PART STOPS (pg. 6)
- REAR SWITCH PACKAGE (pp. 33-34)
- SUPPLY VOLTAGE (AC or DC)

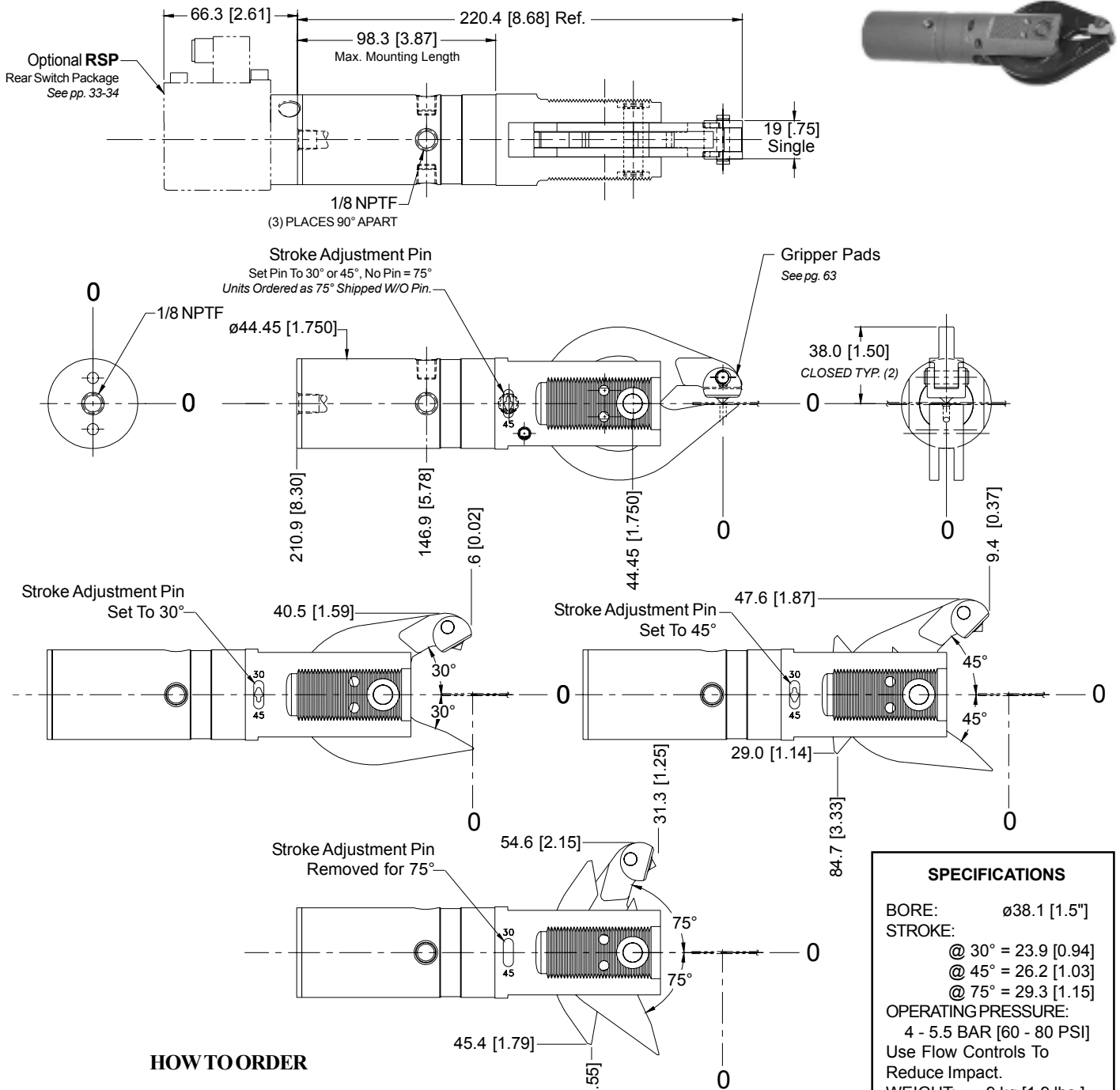
PG38B - 30 - 3 - 3 - TM - PS - RSPT-DC

BTM No. 730200A

OPTIONS

PATENTED

CAD TEMPLATES AVAILABLE



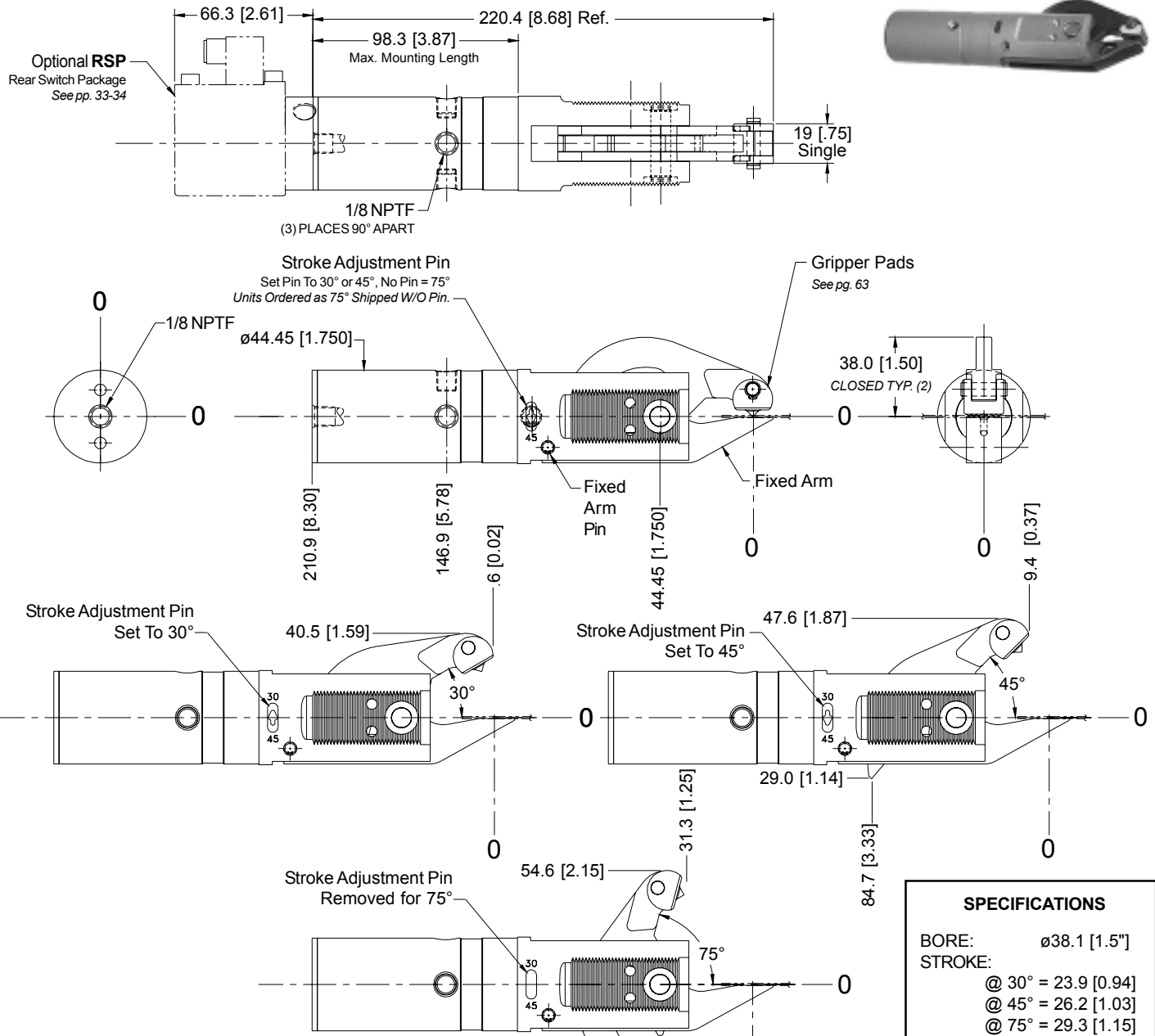
SPECIFICATIONS	
BORE:	ø38.1 [1.5"]
STROKE:	@ 30° = 23.9 [0.94]
	@ 45° = 26.2 [1.03]
	@ 75° = 29.3 [1.15]
OPERATING PRESSURE:	4 - 5.5 BAR [60 - 80 PSI]
	Use Flow Controls To Reduce Impact.
WEIGHT:	.9 kg [1.9 lbs.]
GRIPPING FORCE:	@ 4 BAR = .73 kN [165 lbs.]
	@ 5.5 BAR = .98 kN [220 lbs.]

HOW TO ORDER

- MODEL
- ARM STYLE
- ARM OPENING (30°, 45°, or 75°)
- UPPER ARM PAD (pg. 31)
- MOUNTS (BM, BM - BM, TM, or HTM - pg. 32)
- PART STOPS (pg. 6)
- REAR SWITCH PACKAGE (pp. 33-34)
- SUPPLY VOLTAGE (AC or DC)

PG38C - 30 - 3 - TM - PS - RSPT-DC

CAD TEMPLATES AVAILABLE



SPECIFICATIONS	
BORE:	ø38.1 [1.5"]
STROKE:	@ 30° = 23.9 [0.94]
	@ 45° = 26.2 [1.03]
	@ 75° = 29.3 [1.15]
OPERATING PRESSURE:	4 - 5.5 BAR [60 - 80 PSI]
	Use Flow Controls To Reduce Impact.
WEIGHT:	.9 kg [1.9 lbs.]
GRIPPING FORCE:	@ 4 BAR = .73 kN [165 lbs.]
	@ 5.5 BAR = .98 kN [220 lbs.]

HOW TO ORDER

- MODEL
- ARM STYLE
- ARM OPENING (30°, 45°, or 75°)
- UPPER ARM PAD (pg. 31)
- MOUNTS (BM, BM - BM, TM, or HTM - pg. 32)
- PART STOPS (pg. 6)
- REAR SWITCH PACKAGE (pp. 33-34)
- SUPPLY VOLTAGE (AC or DC)

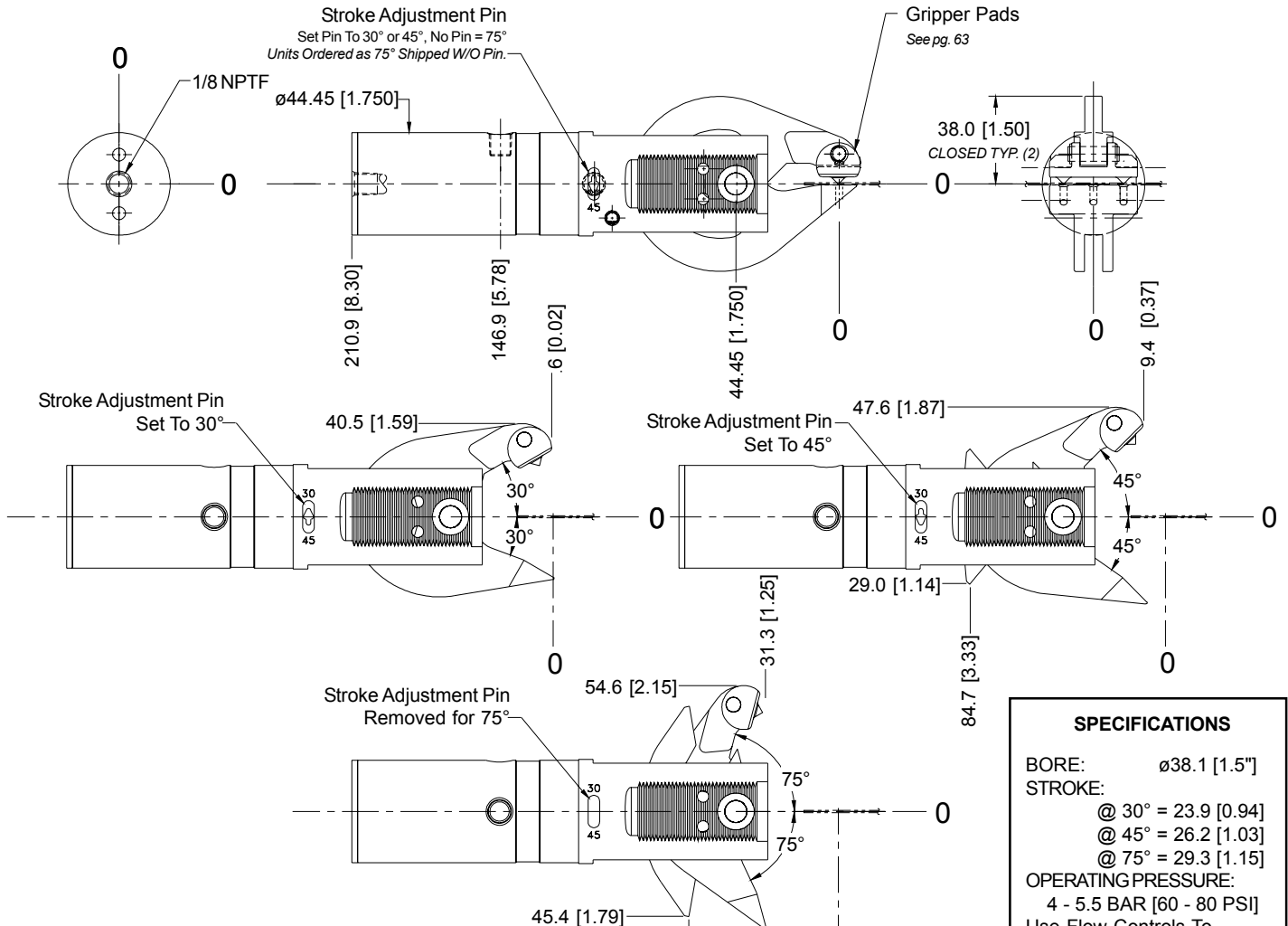
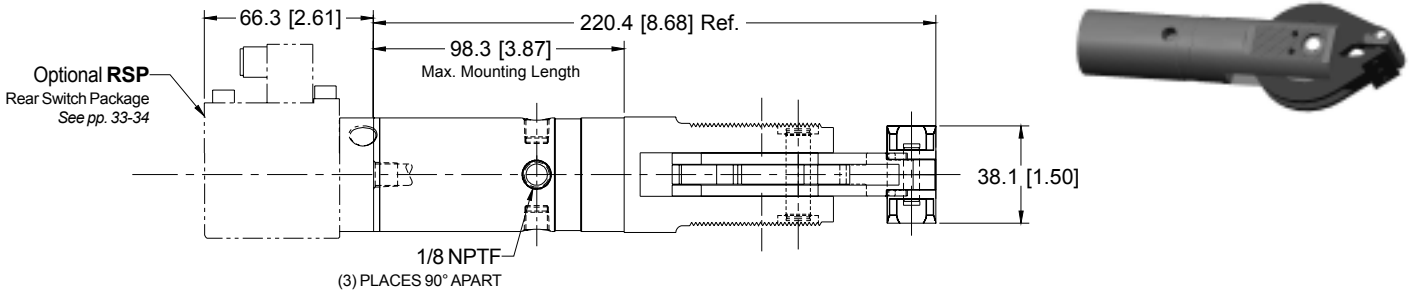
PG38D - 30 - 3 - TM - PS - RSPT-DC

BTM No. 730400A

OPTIONS

PATENTED

CAD TEMPLATES AVAILABLE



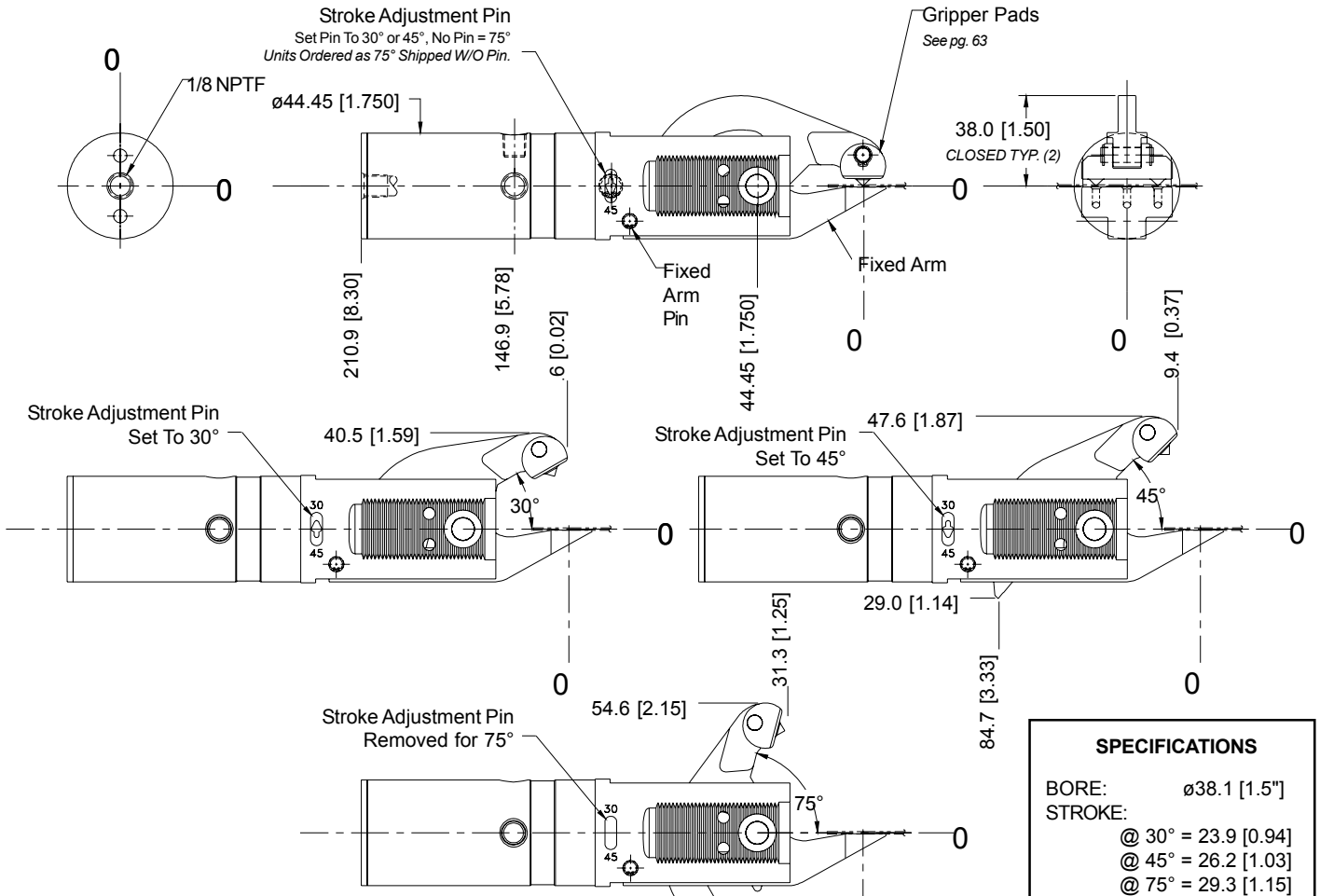
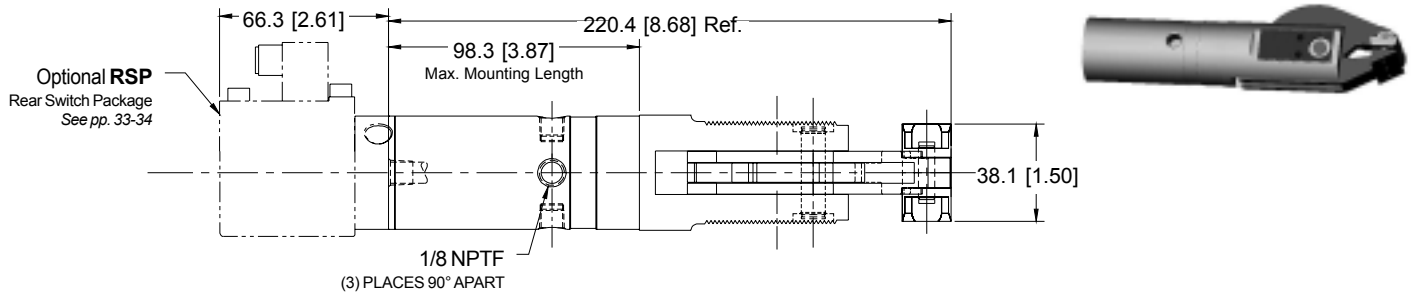
SPECIFICATIONS	
BORE:	ø38.1 [1.5"]
STROKE:	@ 30° = 23.9 [0.94]
	@ 45° = 26.2 [1.03]
	@ 75° = 29.3 [1.15]
OPERATING PRESSURE:	4 - 5.5 BAR [60 - 80 PSI]
Use Flow Controls To Reduce Impact.	
WEIGHT:	.9 kg [1.9 lbs.]
GRIPPING FORCE:	@ 4 BAR = .73 kN [165 lbs.]
	@ 5.5 BAR = .98 kN [220 lbs.]

HOW TO ORDER

- MODEL
- ARM STYLE
- ARM OPENING (30°, 45°, or 75°)
- UPPER ARM PAD (pg. 31)
- MOUNTS (BM, BM - BM, TM, or HTM - pg. 32)
- PART STOPS (pg. 6)
- REAR SWITCH PACKAGE (pp. 33-34)
- SUPPLY VOLTAGE (AC or DC)

PG38E - 30 - 3 - TM - PS - RSPT-DC

CAD TEMPLATES AVAILABLE



SPECIFICATIONS	
BORE:	ø38.1 [1.5"]
STROKE:	
	@ 30° = 23.9 [0.94]
	@ 45° = 26.2 [1.03]
	@ 75° = 29.3 [1.15]
OPERATING PRESSURE:	4 - 5.5 BAR [60 - 80 PSI]
Use Flow Controls To Reduce Impact.	
WEIGHT:	.9 kg [1.9 lbs.]
GRIPPING FORCE:	
	@ 4 BAR = .73 kN [165 lbs.]
	@ 5.5 BAR = .98 kN [220 lbs.]

HOW TO ORDER

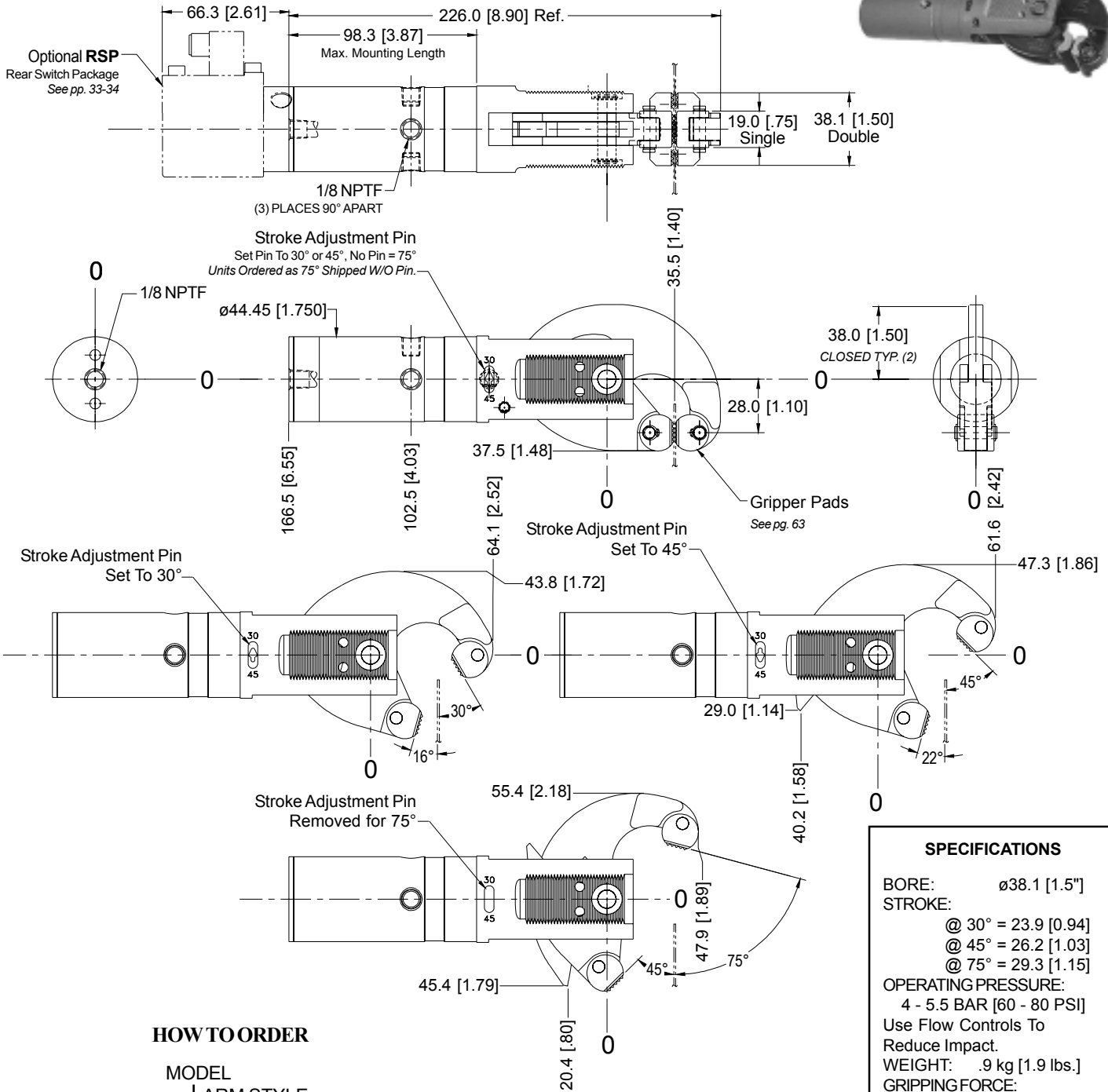
- MODEL
- ARM STYLE
- ARM OPENING (30°, 45°, or 75°)
- UPPER ARM PAD (pg. 31)
- MOUNTS (BM, BM - BM, TM, or HTM - pg. 32)
- PART STOPS (pg. 6)
- REAR SWITCH PACKAGE (pp. 33-34)
- SUPPLY VOLTAGE (AC or DC)

PG38D - 30 - 3 - TM - PS - RSPT-DC

BTM No. 730600A

OPTIONS

PATENTED



SPECIFICATIONS	
BORE:	ø38.1 [1.5"]
STROKE:	
	@ 30° = 23.9 [0.94]
	@ 45° = 26.2 [1.03]
	@ 75° = 29.3 [1.15]
OPERATING PRESSURE:	4 - 5.5 BAR [60 - 80 PSI]
	Use Flow Controls To Reduce Impact.
WEIGHT:	.9 kg [1.9 lbs.]
GRIPPING FORCE:	
	@ 4 BAR = .73 kN [165 lbs.]
	@ 5.5 BAR = .98 kN [220 lbs.]

HOW TO ORDER

- MODEL
- ARM STYLE
- ARM OPENING (30°, 45°, or 75°)
- UPPER ARM PAD (pg. 31)
- LOWER ARM PAD (pg. 31)
- MOUNTS (BM, BM - BM, TM, or HTM - pg. 32)
- REAR SWITCH PACKAGE (pp. 33-34)
- SUPPLY VOLTAGE (AC or DC)

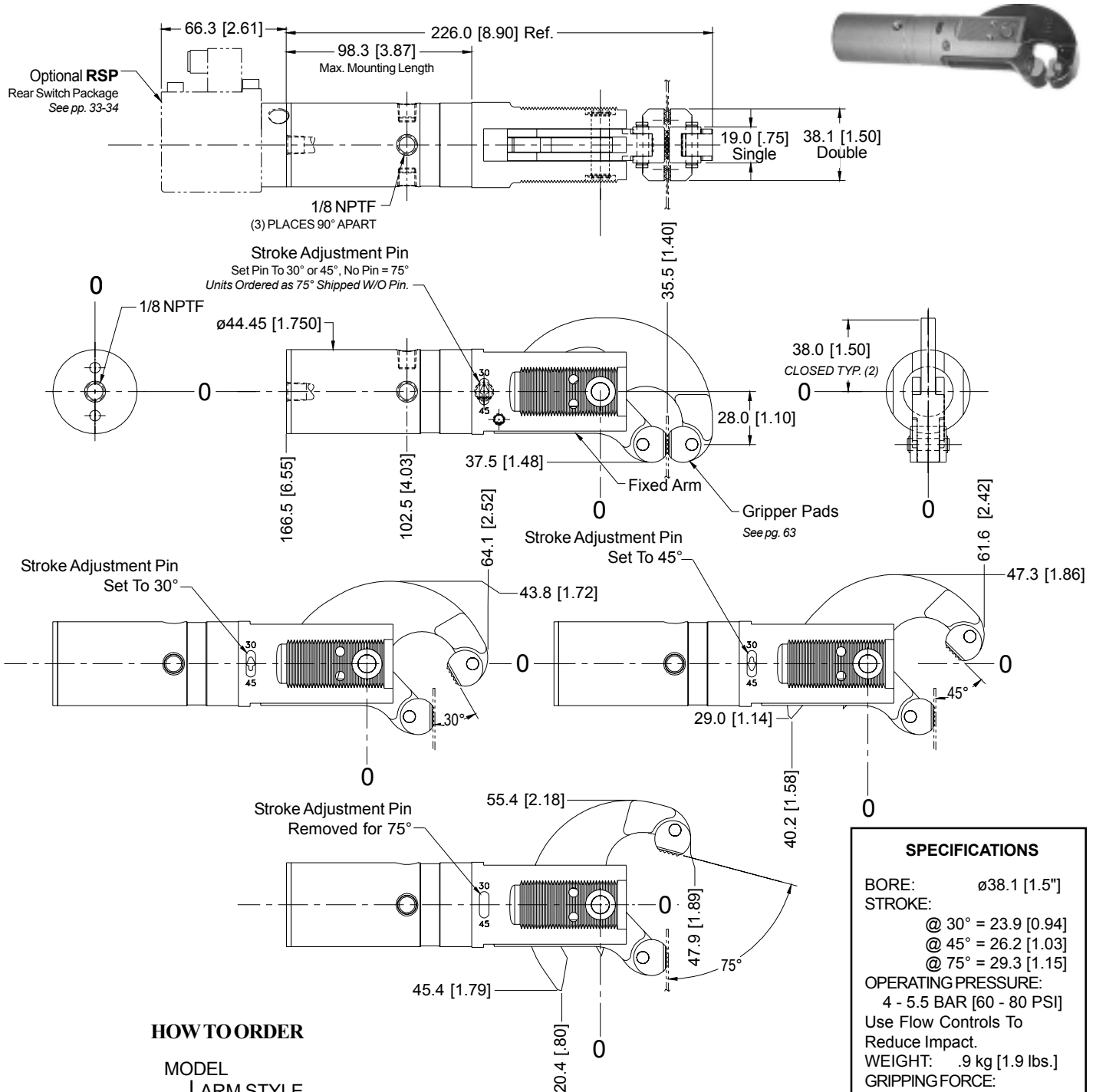
PG38G - 30 - 3 - 3 - TM - RSPT-DC

PG-38H ~ Single Opening ~ Flange Pad Arms

PG-38H BTM No. 734500A



CAD TEMPLATES AVAILABLE



SPECIFICATIONS

BORE: ø38.1 [1.5"]
 STROKE:
 @ 30° = 23.9 [0.94]
 @ 45° = 26.2 [1.03]
 @ 75° = 29.3 [1.15]
 OPERATING PRESSURE:
 4 - 5.5 BAR [60 - 80 PSI]
 Use Flow Controls To Reduce Impact.
 WEIGHT: .9 kg [1.9 lbs.]
 GRIPPING FORCE:
 @ 4 BAR = .73 kN [165 lbs.]
 @ 5.5 BAR = .98 kN [220 lbs.]

HOW TO ORDER

MODEL
 ARM STYLE
 ARM OPENING (30°, 45°, or 75°)
 UPPER ARM PAD (pg. 31)
 LOWER ARM PAD (pg. 31)
 MOUNTS (BM, BM - BM, TM, or HTM - pg. 32)
 REAR SWITCH PACKAGE (pp. 33-34)
 SUPPLY VOLTAGE (AC or DC)

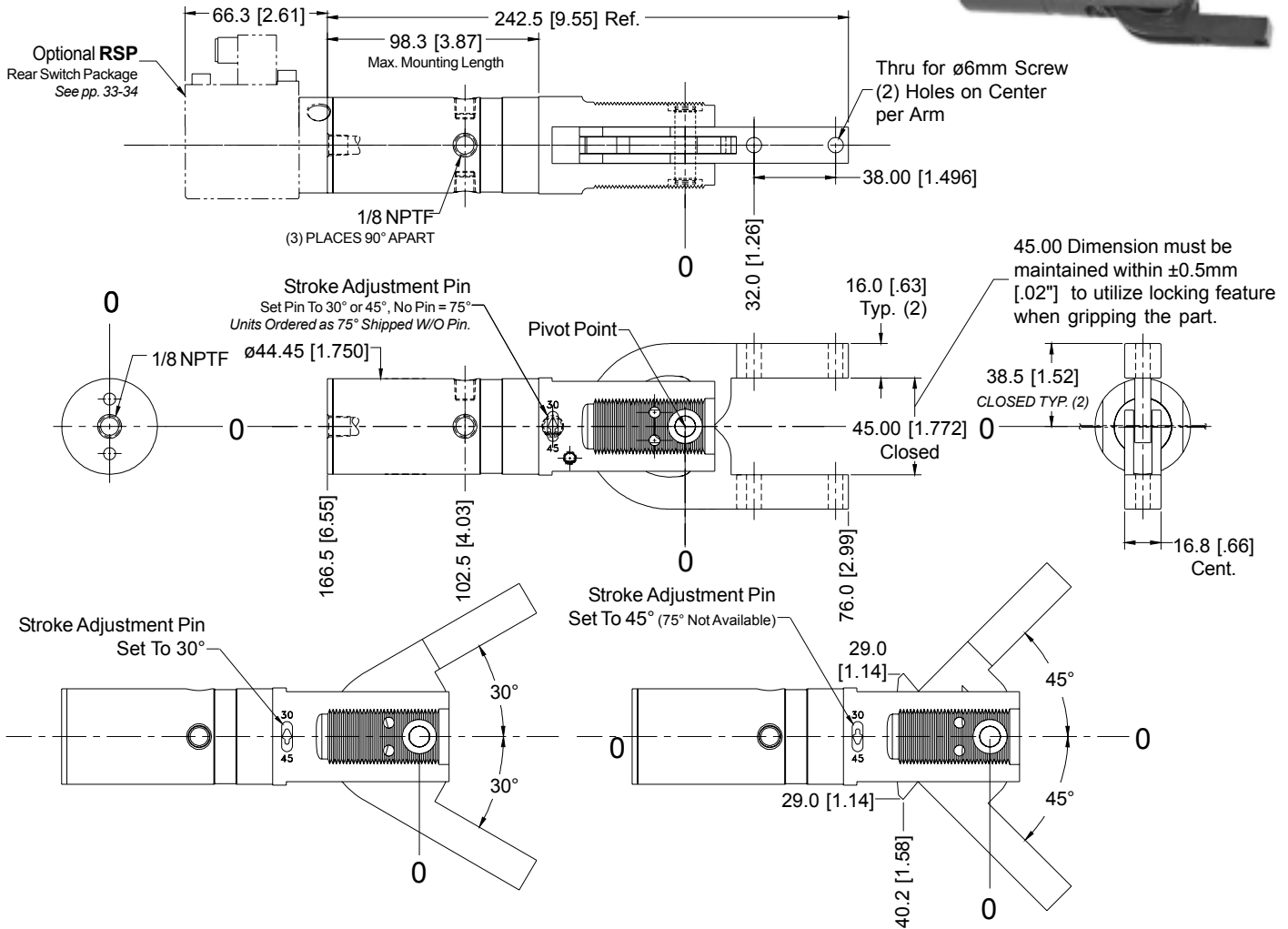
PG38H - 30 - 3 - 3 - TM - RSPT-DC

BTM No. 734500A

OPTIONS

PATENTED

CAD TEMPLATES AVAILABLE



75° Opening Gripper Not Available

SPECIFICATIONS

BORE: $\phi 38.1$ [1.5"]
 STROKE:
 @ 30° = 23.9 [0.94]
 @ 45° = 26.2 [1.03]
 OPERATING PRESSURE:
 4 - 5.5 BAR [60 - 80 PSI]
 Use Flow Controls To Reduce Impact.
 WEIGHT: .9 kg [1.9 lbs.]

HOW TO ORDER

MODEL
 |
 ARM STYLE
 |
 ARM OPENING (30° or 45°)
 |
 MOUNTS (BM, BM - BM, TM, or HTM - pg. 32)
 |
 PART STOPS (pg. 6)
 |
 REAR SWITCH PACKAGE (pp. 33-34)
 |
 SUPPLY VOLTAGE (AC or DC)

PG38J - 30 - TM - PS - RSPT-DC

BTM No. 734800A

OPTIONS

GRIPPING FORCE (lbs.) = $4.5 \times \text{Line Pressure (PSI)}$
 Length (In.) From Pivot Point To Center Of Gripping Contact

GRIPPING FORCE (N) = $7300 \times \text{Line Pressure (Bars)}$
 Length (mm) From Pivot Point To Center Of Gripping Contact

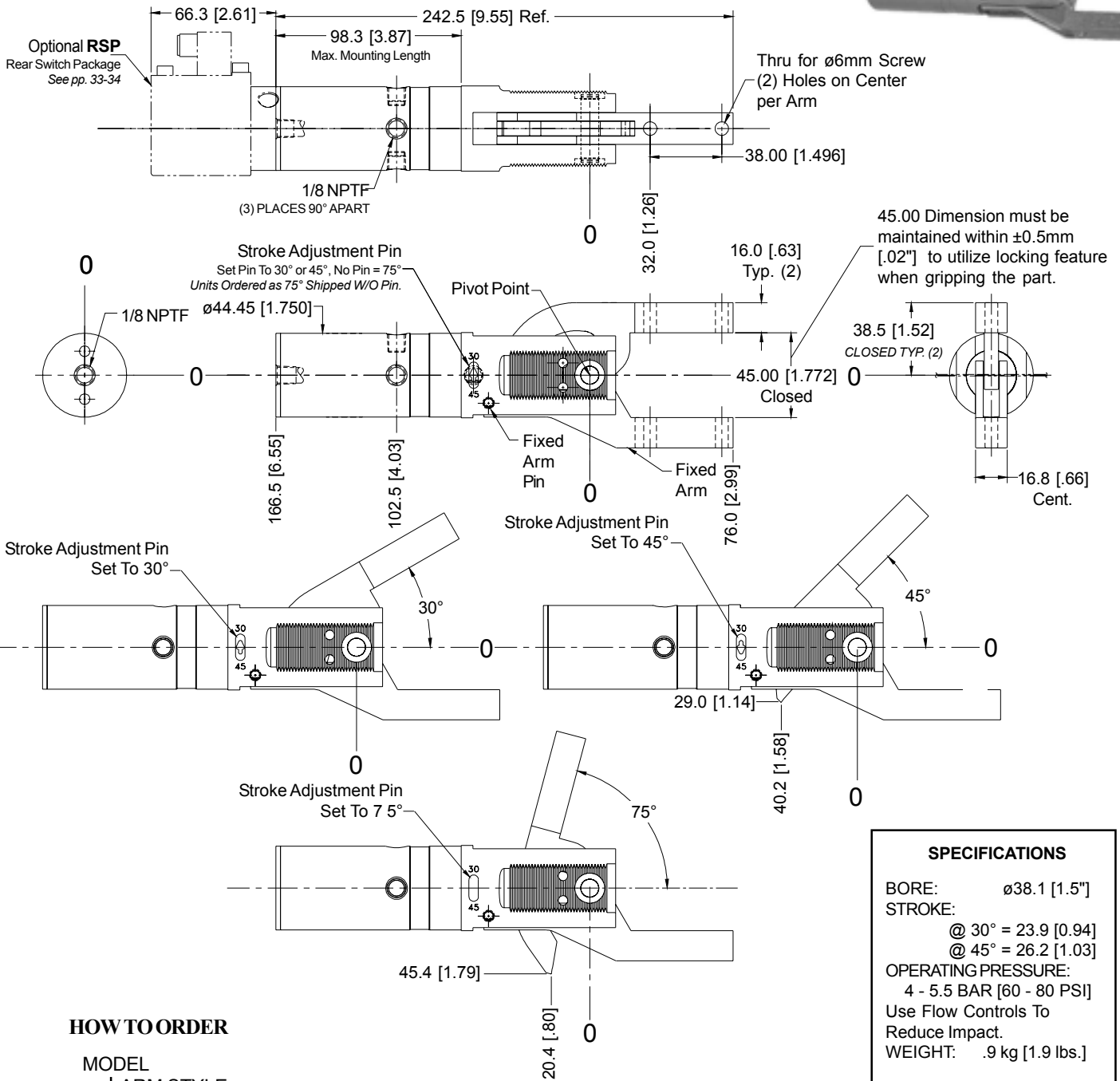
PATENTED

PG-38K ~ Single Opening ~ Adaptable Arms

PG-38K BTM No. 734700A



CAD TEMPLATES AVAILABLE



SPECIFICATIONS	
BORE:	ø38.1 [1.5"]
STROKE:	@ 30° = 23.9 [0.94] @ 45° = 26.2 [1.03]
OPERATING PRESSURE:	4 - 5.5 BAR [60 - 80 PSI]
	Use Flow Controls To Reduce Impact.
WEIGHT:	.9 kg [1.9 lbs.]

GRIPPING FORCE (lbs.) =	$4.5 \times \text{Line Pressure (PSI)} \times \text{Length (In.) From Pivot Point To Center Of Gripping Contact}$
GRIPPING FORCE (N) =	$7300 \times \text{Line Pressure (Bars)} \times \text{Length (mm) From Pivot Point To Center Of Gripping Contact}$

HOW TO ORDER

MODEL

ARM STYLE

ARM OPENING (30° or 45°)

MOUNTS (BM, BM - BM, TM, or HTM - pg. 32)

PART STOPS (pg. 6)

REAR SWITCH PACKAGE (pp. 33-34)

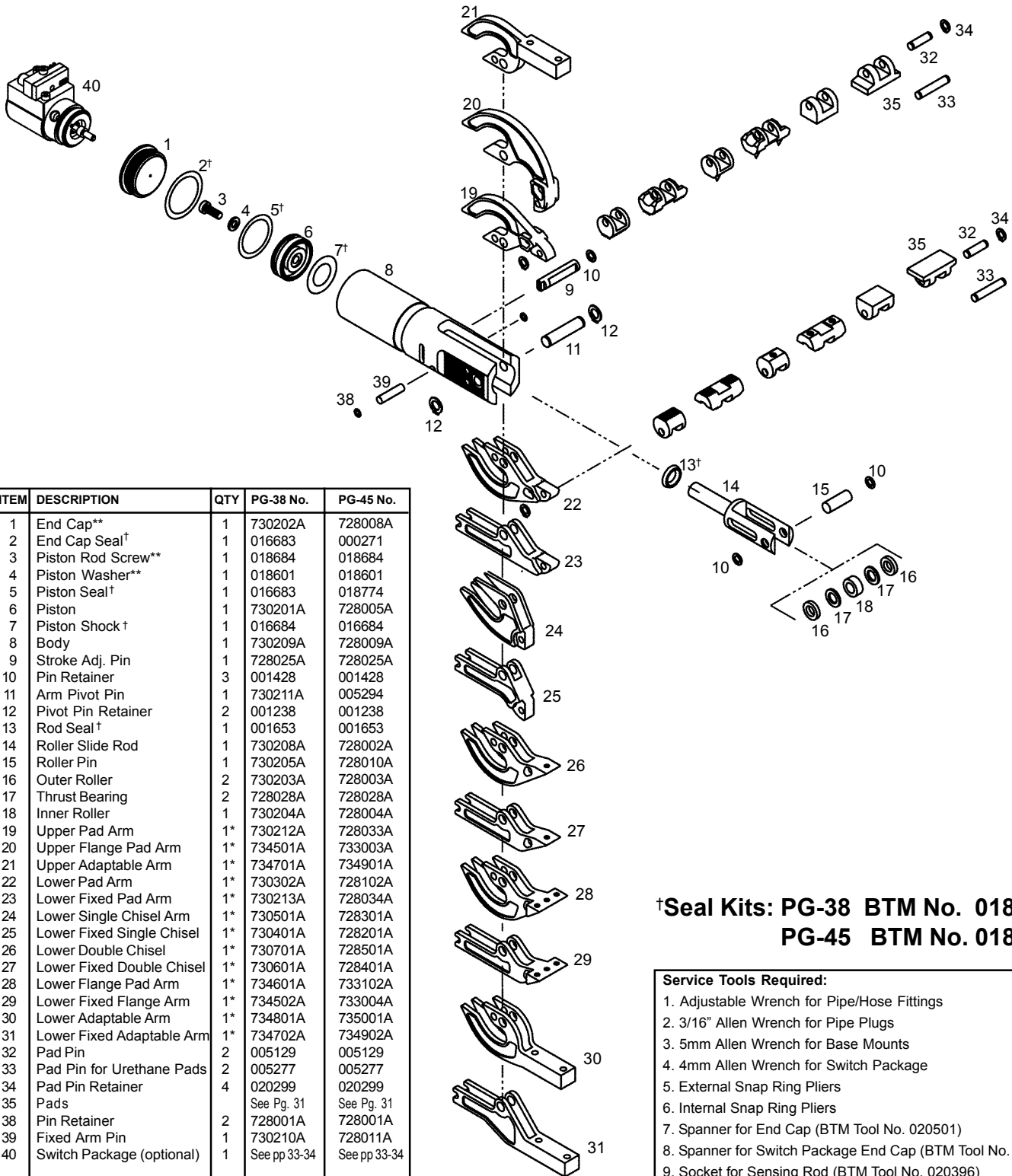
SUPPLY VOLTAGE (AC or DC)

PG38K - 30 - TM - PS - RSPT-DC

BTM No. 734700A

OPTIONS

PATENTED



ITEM	DESCRIPTION	QTY	PG-38 No.	PG-45 No.
1	End Cap**	1	730202A	728008A
2	End Cap Seal†	1	016683	000271
3	Piston Rod Screw**	1	018684	018684
4	Piston Washer**	1	018601	018601
5	Piston Seal†	1	016683	018774
6	Piston	1	730201A	728005A
7	Piston Shock †	1	016684	016684
8	Body	1	730209A	728009A
9	Stroke Adj. Pin	1	728025A	728025A
10	Pin Retainer	3	001428	001428
11	Arm Pivot Pin	1	730211A	005294
12	Pivot Pin Retainer	2	001238	001238
13	Rod Seal †	1	001653	001653
14	Roller Slide Rod	1	730208A	728002A
15	Roller Pin	1	730205A	728010A
16	Outer Roller	2	730203A	728003A
17	Thrust Bearing	2	728028A	728028A
18	Inner Roller	1	730204A	728004A
19	Upper Pad Arm	1*	730212A	728033A
20	Upper Flange Pad Arm	1*	734501A	733003A
21	Upper Adaptable Arm	1*	734701A	734901A
22	Lower Pad Arm	1*	730302A	728102A
23	Lower Fixed Pad Arm	1*	730213A	728034A
24	Lower Single Chisel Arm	1*	730501A	728301A
25	Lower Fixed Single Chisel	1*	730401A	728201A
26	Lower Double Chisel	1*	730701A	728501A
27	Lower Fixed Double Chisel	1*	730601A	728401A
28	Lower Flange Pad Arm	1*	734601A	733102A
29	Lower Fixed Flange Arm	1*	734502A	733004A
30	Lower Adaptable Arm	1*	734801A	735001A
31	Lower Fixed Adaptable Arm	1*	734702A	734902A
32	Pad Pin	2	005129	005129
33	Pad Pin for Urethane Pads	2	005277	005277
34	Pad Pin Retainer	4	020299	020299
35	Pads		See Pg. 31	See Pg. 31
38	Pin Retainer	2	728001A	728001A
39	Fixed Arm Pin	1	730210A	728011A
40	Switch Package (optional)	1	See pp 33-34	See pp 33-34

†Seal Kits: PG-38 BTM No. 018672
PG-45 BTM No. 018628

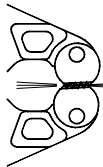
Service Tools Required:

1. Adjustable Wrench for Pipe/Hose Fittings
2. 3/16" Allen Wrench for Pipe Plugs
3. 5mm Allen Wrench for Base Mounts
4. 4mm Allen Wrench for Switch Package
5. External Snap Ring Pliers
6. Internal Snap Ring Pliers
7. Spanner for End Cap (BTM Tool No. 020501)
8. Spanner for Switch Package End Cap (BTM Tool No. 020499)
9. Socket for Sensing Rod (BTM Tool No. 020396)

** Details 1, 3 & 4 are omitted when gripper is fitted with switch package.

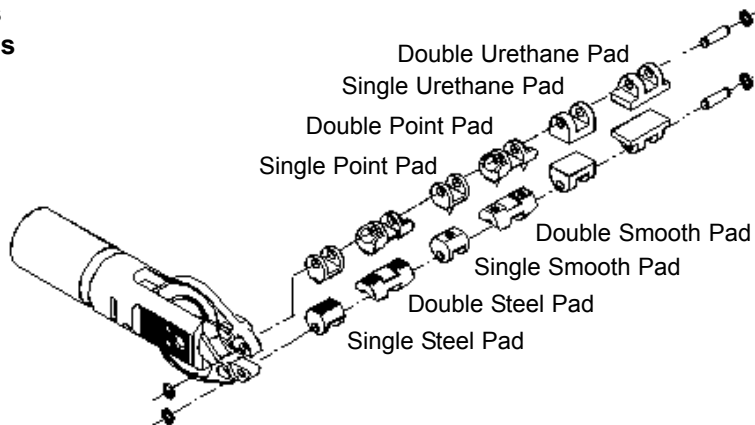
* 1 Upper & 1 Lower Arm per unit.

Interchangeable Gripper Pads Fits both PG 38 & PG 45 Models



± 5°
Self-Aligning
Gripper Pads

Custom pads can be
manufactured to meet your
specific application.
Contact BTM for details.



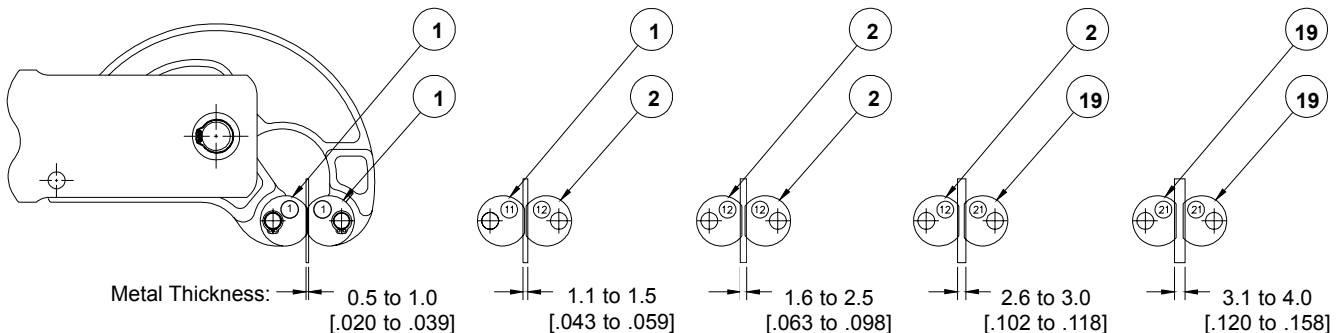
GRIPPER PADS

<p>Single Steel Pads For Material Thickness See Above 1 - No. 728039A [P] 2 - No. 728040A [W] 19 - No. 728056A [Y] Use in pairs or w/ Point Pads</p>	<p>Double Steel Pads For Material Thickness See Above 3 - No. 728037A [P] 4 - No. 728038A [W] 20 - No. 728055A [Y] Use in pairs or w/ Point Pads</p>	<p>Single Point Pads For Material Thickness See Above 5 - No. 728043A [P] 6 - No. 728044A [W] Use w/ Steel or Smooth Pads or Chisel</p>	<p>Double Point Pads For Material Thickness See Above 7 - No. 728041A [P] 8 - No. 728042A [W] Use w/ Steel or Smooth Pads or Chisel</p>
<p>Single Urethane Pads 9/60 - Soft ~ Yellow No. 728000L 9/90 - Hard ~ Orange No. 728000J Use in pairs</p>	<p>Double Urethane Pads 10/60 - Soft ~ Yellow No. 728000M 10/90 - Hard ~ Orange No. 728000K Use in pairs</p>	<p>Single Smooth Pads For Material Thickness See Above 11 - No. 728047A [P] 12 - No. 728048A [W] 21 - No. 728057A [Y] Use in pairs or w/ Point Pads</p>	<p>Double Smooth Pads For Material Thickness See Above 13 - No. 728049A [P] 14 - No. 728050A [W] 22 - No. 728058A [Y]</p>

Selection of Gripper Pad Combinations for Metal Thickness

<p>Pad No. {</p> <ul style="list-style-type: none"> ① Single Steel Pad (728039A) ~ "A" = 13.08mm [.515"] ② Single Steel Pad (728040A) ~ "A" = 12.37mm [.487"] ⑱ Single Steel Pad (728056A) ~ "A" = 11.66mm [.459"] 	<p>Gripper Pad "A" Dimension</p>
---	--------------------------------------

**NOTE: URETHANE PADS
WORK FOR ALL METAL
THICKNESS COMBINA-
TIONS**



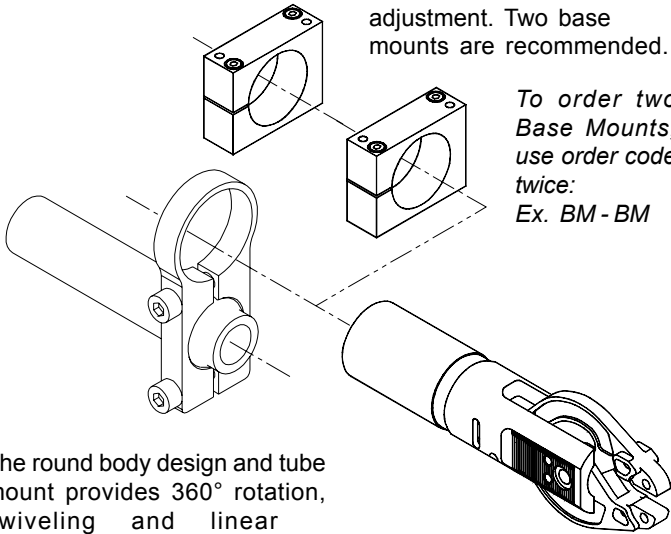
Gripper Pad Color
Coding:
[P]=Pink
[W]=White
[Y]=Yellow

Metal Thickness	Single Steel	Double Steel	Single Point	Double Point	Single Smooth	Double Smooth	Color
0.5 to 1.0 [.020 to .039]	1+1	3+3	5+11	7+13	11+11	13+13	Pink
1.1 to 1.5 [.043 to .059]	1+2	3+4	5+12	7+14	11+12	13+14	Pink+White
1.6 to 2.5 [.063 to .098]	2+2	4+4	6+12	8+14	12+12	14+14	White
2.6 to 3.0 [.102 to .118]	2+19	4+20	6+21	8+22	12+21	14+22	White+Yellow
3.1 to 4.0 [.120 to .158]	19+19	20+20			21+21	22+22	Yellow

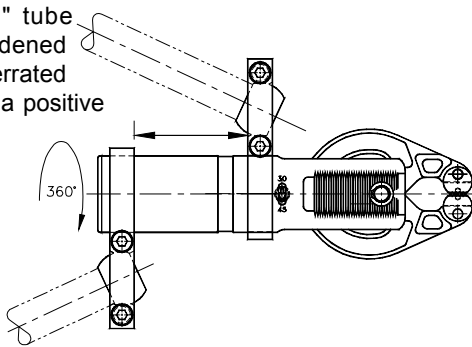
Gripper Mounts

The round body design and base mount provides 360° rotation and linear adjustment. Two base mounts are recommended.

To order two Base Mounts, use order code twice:
Ex. BM - BM

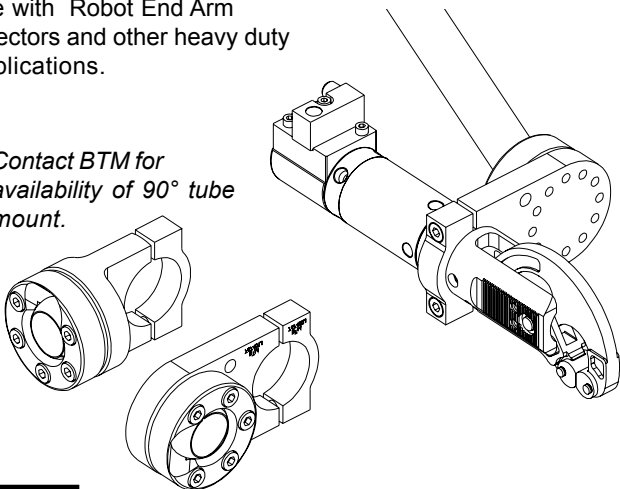


The round body design and tube mount provides 360° rotation, swiveling and linear adjustment. The 1" tube mount uses a hardened steel swivel with serrated surfaces to provide a positive locked position.



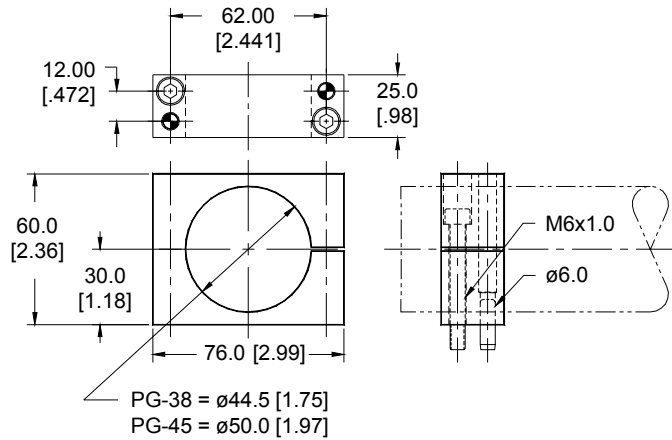
The 1 1/4" tube mount is available in 90° and in-line configurations. It is ideal for use with Robot End Arm Effectors and other heavy duty applications.

Contact BTM for availability of 90° tube mount.



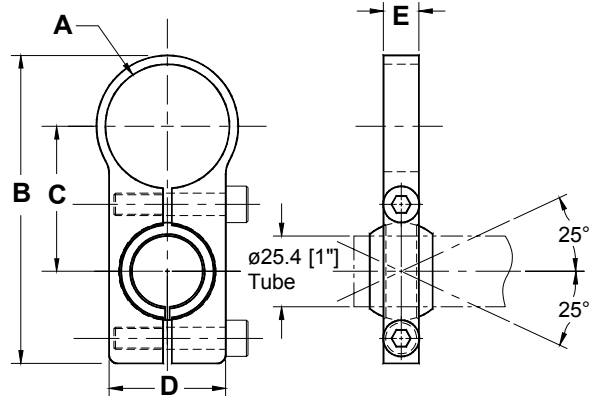
(BM) Base Mount

PG-38 ~ No. 730200C • PG-45 ~ No. 728000E



(TM) Tube Mount

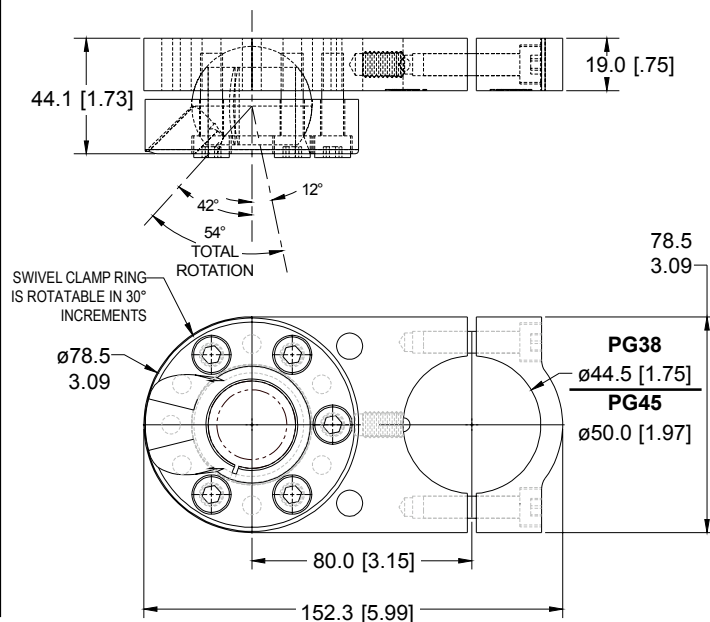
PG-38 ~ No. 708700D • PG-45 ~ No. 728000D



	A	B	C	D	E
PG-38	ø44.5 [1.75]	110.4 [4.35]	52.0 [2.05]	41.7 [1.64]	12.7 [.50]
PG-45	ø50.0 [1.97]	116.2 [4.57]	55.0 [2.17]	41.7 [1.64]	12.7 [.50]

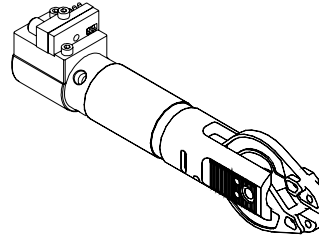
(HTM) 1 1/4" Tube Mount

PG-38 ~ No. 767400L • PG-45 ~ No. 767400J



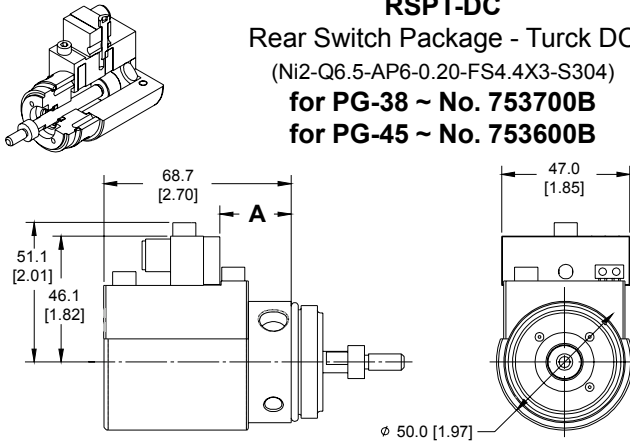
Position Sensors

Single Connector Status Controller
AC or DC Proximity Switch
Senses Open & Closed Positions



RSPT-DC

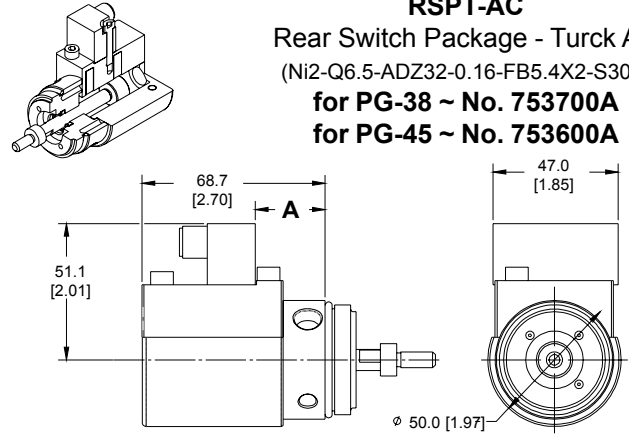
Rear Switch Package - Turck DC
(Ni2-Q6.5-AP6-0.20-FS4.4X3-S304)
for PG-38 ~ No. 753700B
for PG-45 ~ No. 753600B



	A
PG-38 w/DC	26.2 [1.03]
PG-45 w/DC	29.0 [1.14]

RSPT-AC

Rear Switch Package - Turck AC
(Ni2-Q6.5-ADZ32-0.16-FB5.4X2-S304)
for PG-38 ~ No. 753700A
for PG-45 ~ No. 753600A



	A
PG-38 w/AC	26.2 [1.03]
PG-45 w/AC	29.0 [1.14]

Components

ITEM	DESCRIPTION	QTY	PG-38	PG-45
1	DC Status Controller*	1	018426	018426
	AC Status Controller		019328	019328
2	Screw	2	016452	016452
3	Sensor Block	1	753701A	753601A
4	Screw	1	018495	018495
5	Sensor Can	1	744303A	744303A
6	Retainer	1	005241	005241
7	Prox Target	1	739501A	739501A
8	End Cap	1	744401A	744301A
9	Seal	1	020293	020293
10	O Ring	1	016643	000271
11	Sensing Rod	1	734301A	734201A

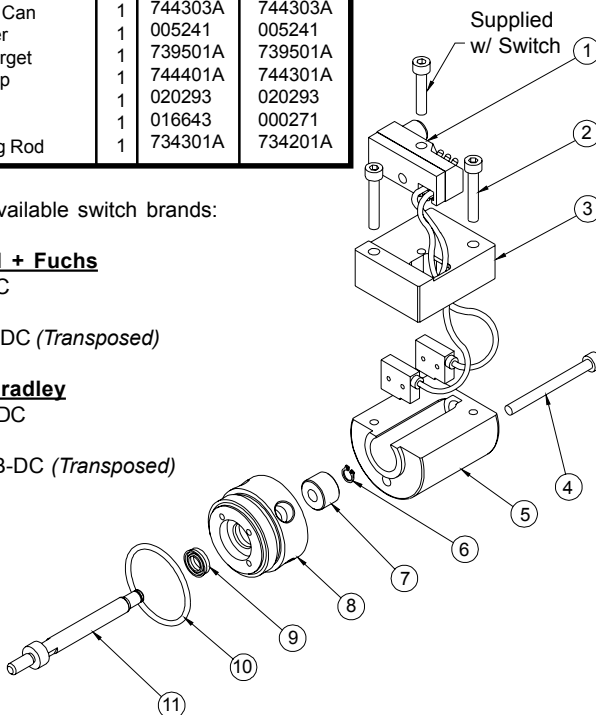
*Other available switch brands:

Pepperl + Fuchs

RSPP-DC
or
TRSP-DC (Transposed)

Allen Bradley

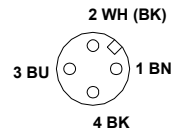
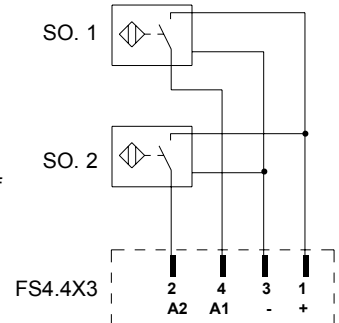
RSPAB-DC
or
TRSPAB-DC (Transposed)



DC ~ Status Controller

Two Sensors
Supply Voltage: 10-30 VDC
Load Current: \leq 150mA
Single Connector ~ Conprox®

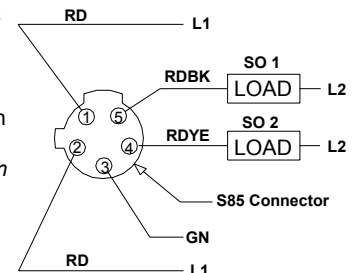
SO. 2 reads the closed position of the gripper.
If SO. 2 is required for the open position (transposed), order: TRSPT-DC

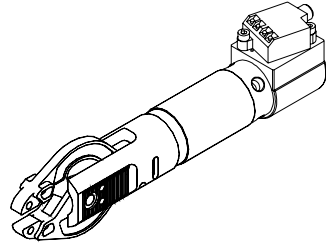


AC ~ Status Controller

Two Sensors
Supply Voltage: 20-250 VAC
Load Current: \leq 100mA
Single Connector ~ S85

SO. 2 reads the closed position of the gripper.
If SO. 2 is required for the open position (transposed), order: TRSPT-AC

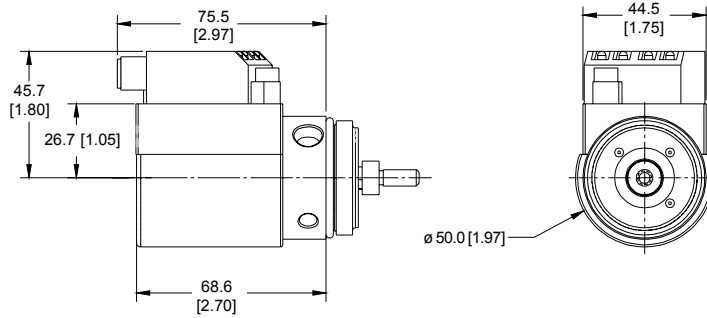




Position Sensors

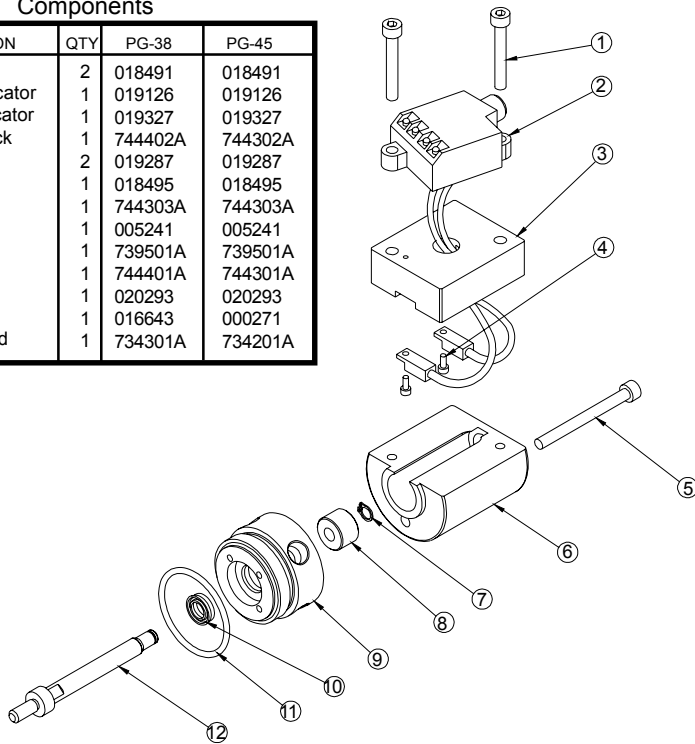
Single Connector C2000 Cylindicator
DC Proximity Switch
Senses Open & Closed Positions

RSPN-DC
Rear Switch Package - Namco DC
EE280-92140
for PG-38 ~ No. 744400A
for PG-45 ~ No. 744300A



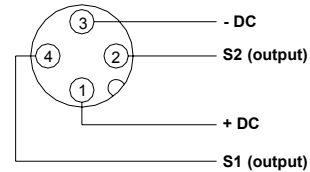
Components

ITEM	DESCRIPTION	QTY	PG-38	PG-45
1	Screw	2	018491	018491
2	DC Cylindicator	1	019126	019126
3	AC Cylindicator	1	019327	019327
4	Sensor Block	1	744402A	744302A
5	Screw	2	019287	019287
6	Screw	1	018495	018495
7	Sensor Can	1	744303A	744303A
8	Retainer	1	005241	005241
9	Prox Target	1	739501A	739501A
10	End Cap	1	744401A	744301A
11	Seal	1	020293	020293
12	O Ring	1	016643	000271
13	Sensing Rod	1	734301A	734201A



DC ~ Cylindicator
Two 3-Wire Sensors
Supply Voltage: 10-30 VDC
Load Current: 200mA Max.
Single Connector ~ Euro

SO. 2 reads the closed position of the gripper.
If SO. 2 is required for the open position (transposed),
order: TRSPN-DC



AC ~ Cylindicator
Two Wire
Supply Voltage: 20-150 VAC
Load Current: 200mA Max.
Single Connector ~ Micro

SO. 2 reads the closed position of the gripper.
If SO. 2 is required for the open position (transposed),
order: TRSPN-AC

